



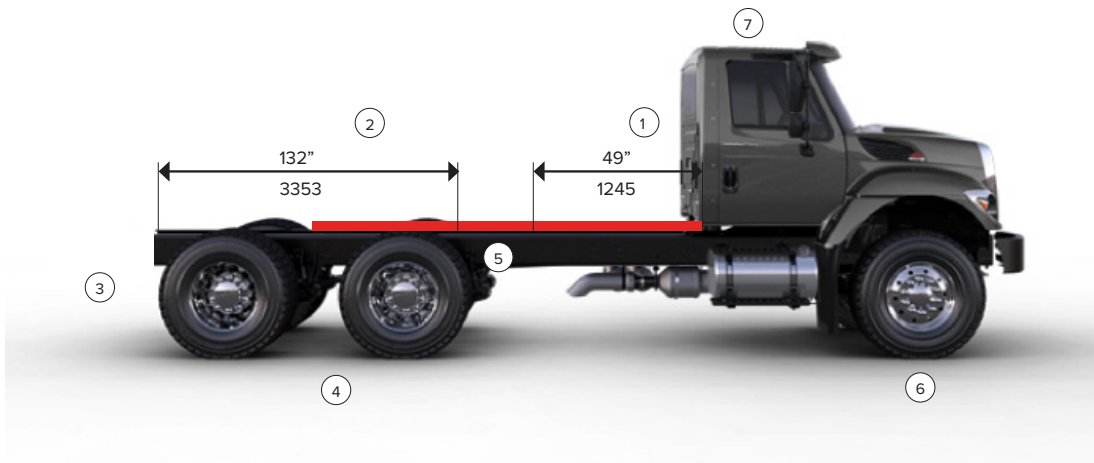
## **Features**

- **Up to 14" Tree Diameter**
- **400 Gallon Water Tank**
- **45 Gallon Oil Reservoir**
- **3500 PSI Pressure Relief**
- **Root Ball weight 15,000 - 18,000 lbs**
- **Optional Wireless 3 Camera System**
- **Optional Fully Proportional Remote Control System**

Designed & built for the professional mover. The biggest and best production tree spade available anywhere at any price. Move larger trees; move throughout the "off season". Whatever your needs, the Model 100 can do the job.

Joining the BIG JOHN family means getting exceptional customer service for the life of your spade as well as customized options suited to your needs. We offer custom water tanks as well as optional remote systems to make operating your spade easier and faster for different conditions.

SPECIFICATIONS	100D	SPECIFICATIONS	100D
Nominal Tree Trunk Diameter	12"-14"	Root Ball Depth (approx.)	68"
Weight of Transplanter	21,000 lbs	Root Ball Weight (approx.)	15,000 - 18,000 lbs
Height Closed (for Transportation, approx.)	13' 6"	Tandem Axle Truck Length (Cab to Trunnion)	186" – 200"
Width Closed (for Transportation, approx.)	8' 5.75"	Hydraulic Pressure Relief (Preset)	3,500 psi
Nominal Root Ball Width (Adjustable)	100"	Hydraulic GPM Rating (Gallons Per Minute)	20 – 22 gpm



## TRUCK REQUIREMENTS

1. The 400 gal. (1,514 L) water tank utilizes 49" (1,245 mm) of frame space behind the cab.
2. The Model 100D utilizes 132" (3,353 mm) of frame from the end of the truck going forward.
3. Ground to top of frame height is 42" – 44" (1,067 – 1,118 mm).
4. The Model 100D requires a rear tandem GVW rating of at least 46,000 lbs (20,865 kg). BIG JOHN recommends a dual axel truck.
5. The red line denotes cab to trunnion measurement or CT. Model 100 requires a minimum CT of 186" (4,725 mm) to 200" (5,080 mm).
6. We require a front axle suspension rating of at least 20,000 lbs (9,027 kg) for the Model 100D.
7. Remember to keep cab height in mind when looking for trucks. Generally lower cabs are preferred to minimize the crown of the tree.
8. BIG JOHN recommends an air assisted pusher axel on trucks that carry the Model 100D.