



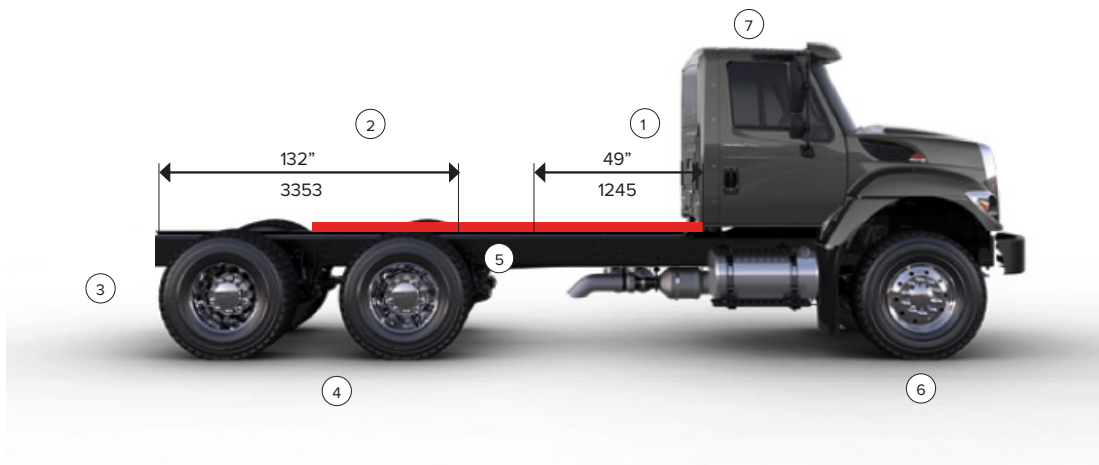
Features

- **Up to 12" Tree Diameter**
- **400 Gallon Water Tank**
- **45 Gallon Oil Reservoir**
- **3000 PSI Pressure Relief**
- **Root Ball weight 11,800 lbs**
- **Optional Wireless 3 Camera System**
- **Optional Fully Proportional Remote Control System**

The Model 90DAG is specifically designed for the pecan moving industry. Ask us for information to see if the BIG JOHN 90DAG is the tree spade for your needs.

Joining the BIG JOHN family means getting exceptional customer service for the life of your spade as well as customized options suited to your needs. We offer custom water tanks as well as optional remote systems to make operating your spade easier and faster for different conditions.

SPECIFICATIONS	90DAG	SPECIFICATIONS	90DAG
Nominal Tree Trunk Diameter	10"-12"	Root Ball Depth (approx.)	60"
Weight of Transplanter	17,760 lbs	Root Ball Weight (approx.)	11,800 lbs
Height Closed (for Transportation, approx.)	13' 6"	Tandem Axle Truck Length (Cab to Trunnion)	156" – 186"
Width Closed (for Transportation, approx.)	8' 5.75"	Hydraulic Pressure Relief (Preset)	3,000 psi
Nominal Root Ball Width (Adjustable)	90"	Hydraulic GPM Rating (Gallons Per Minute)	20 – 22 gpm



TRUCK REQUIREMENTS

1. The 400 gal. (1,514 L) water tank utilizes 49" (1,245 mm) of frame space behind the cab.
2. The Model 90DAG utilizes 132" (3,353 mm) of frame from the end of the truck going forward.
3. Ground to top of frame height is 42" – 44" (1,067 – 1,118 mm).
4. The Model 90DAG requires a rear tandem GVW rating of at least 46,000 lbs (20,865 kg).
5. The red line denotes cab to trunnion measurement or CT. Model 90DAG requires a minimum CT of 156" (3,962 mm) to 165" (4,191 mm).
6. We require a front axle suspension rating of at least 18,000 lbs (8,165 kg) to 20,000 lbs (9,027 kg) for the Model 90DAG.
7. Remember to keep cab height in mind when looking for trucks. Generally lower cabs are preferred to minimize the crown of the tree.